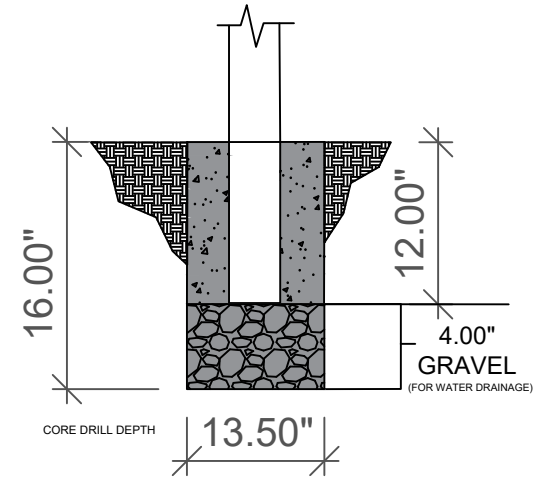
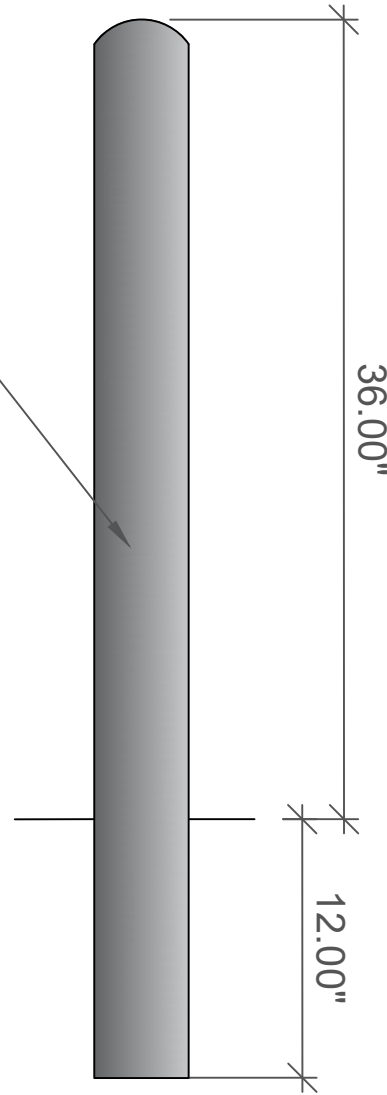


1-800-BOLLARDS

The Bollard Experts

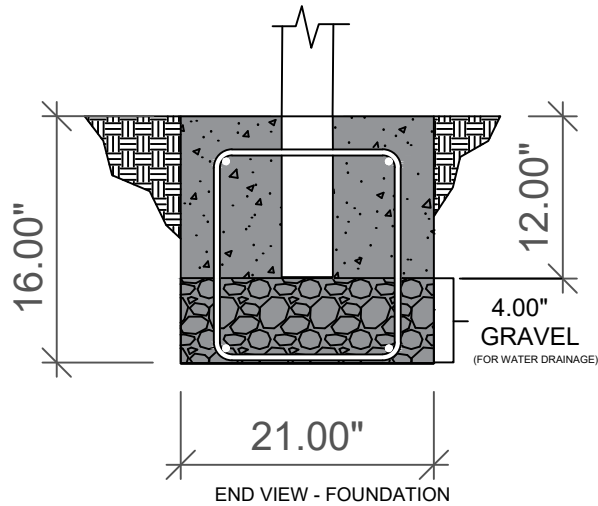
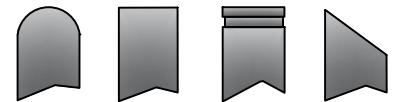
- SELECT DESIRED MATERIAL:
(6" NOMINAL SIZE)
 - FSS06000 SCH 10 STAINLESS STEEL
 - FSS06040 SCH 40 STAINLESS STEEL
 - FSS06080 SCH 80 STAINLESS STEEL
 - FCS06040 SCH 40 ASTM A-53 CARBON STEEL
 - FCS06080 SCH 80 ASTM A-53 CARBON STEEL
- SELECT DESIRED STAINLESS STEEL BOLLARD FINISH:
 - POLISHED #4 FINISH
 - AS SPECIFIED _____
- SELECT DESIRED CARBON STEEL BOLLARD FINISH:
 - POWDER COAT RAL # _____
 - AS SPECIFIED _____
- SELECT DESIRED STAINLESS STEEL BOLLARD MATERIAL:
 - TYPE 304
 - TYPE 316
- SELECT DESIRED BOLLARD CAP STYLE:
 - DOME (SHOWN)
 - STANDARD FLAT
 - REVEAL
 - SLOPED

Fixed Bollard



CORE DRILL MINIMUM DIAMETER

DOME (SHOWN) STANDARD FLAT REVEAL SLOPED



END VIEW - FOUNDATION

REVISIONS			
LTR	DESCRIPTION	DATE	APPVD
COMMENTS			
SPECIFICATIONS			
HEIGHT: 36"			
DIAMETER: 6.63"			
WALL THICKNESS: 0.280" SCHED 40			

APPLICATION		SERIES NUMBER: YX-S060-XX		CAGE CODE: 6NGJB	REV: 6th	DRAWING NUMBER: 6th Cutsheet Size A - R1
NEXT ASSY	USED ON	1-800-BOLLARDS, Inc.		DRAWN BY: AJA	CHECKED BY:	DRAWING REV:
		10 Hughes Suite A105		APPROVED BY:		
		Irvine, CA 92618				
		PHONE: 1-800-BOLLARDS				
		WEB: WWW.1800BOLLARDS.COM				
		EMAIL: INFO@1800BOLLARDS.COM				
		TITLE: BOLLARD, FIXED				

INSTALLATION TO BE COMPLETED IN ACCORDANCE WITH MANUFACTURER'S SPECIFICATIONS.
 THIS DRAWING IS INTENDED FOR USE BY ARCHITECTS, ENGINEERS, CONTRACTORS, CONSULTANTS AND DESIGN PROFESSIONALS FOR PLANNING PURPOSES ONLY. THIS DRAWING
 MAY NOT BE USED FOR CONSTRUCTION.
 ALL INFORMATION CONTAINED HEREIN WAS CURRENT AT THE TIME OF DEVELOPMENT BUT MUST BE REVIEWED AND APPROVED BY THE PRODUCT MANUFACTURER TO BE
 CONSIDERED ACCURATE.
 CONTRACTOR'S NOTE: FOR PRODUCT AND COMPANY INFORMATION VISIT WWW.CADDISGATE.COM/Info AND ENTER
 REFERENCE NUMBER 5044327